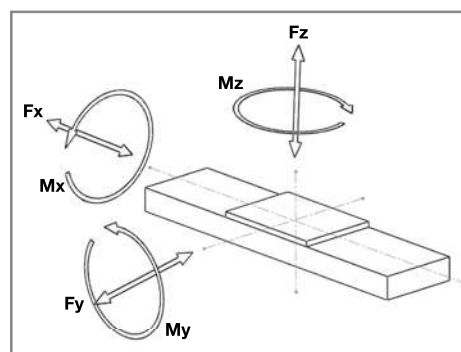


# LTZ50 / LTZ55 / LTZ80 Series

## Technical Description



Internal recirculating ball rail guide for heavy loads.

Compact design, width of the profile LTZ50: 50 mm, LTZ55: 55 mm, LTZ80: 80 mm.

Rail guide system, LT50/55: size -15-, LTZ80: size-20-.

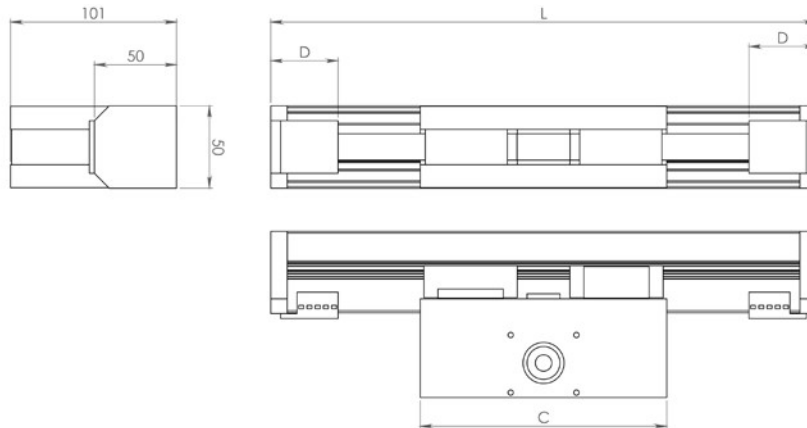
Double carriage design for high load.

## Mechanical specifications

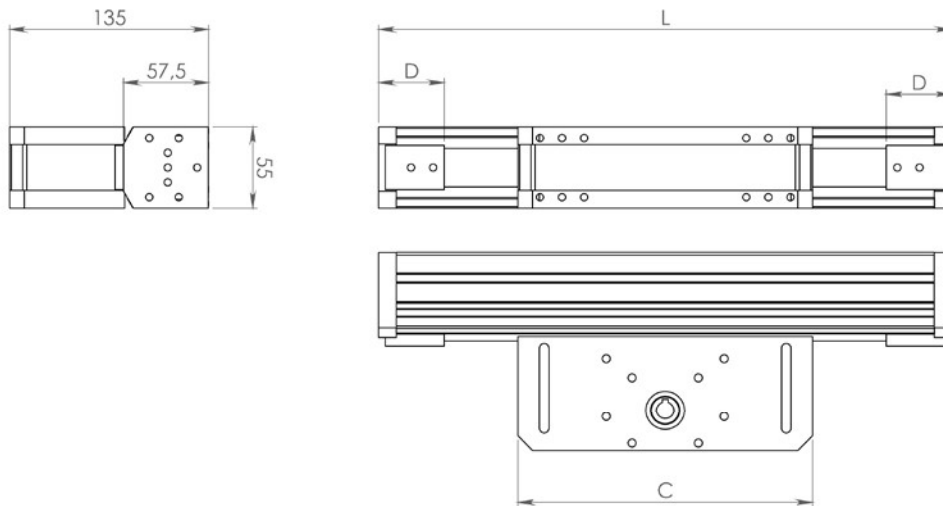
Linear motor stage		LTZ50-TR-S15D	LTZ55-TR-S15D	LTZ80-TR-S20D
<b>Linear motor features</b>				
Repeatability	mm	+/-0,1	+/-0,1	+/-0,1
Maximum speed	m/s	3000	3000	3000
Maximum acceleration	m/s <sup>2</sup>	30	30	30
Maximum stroke	mm	5730	3000	5700
No load torque	Nm	1,1	1,2	0,9
Movement per revolution	mm/rev.	100	150	200
Belt width and type	mm	<b>16</b> AT10	<b>25</b> ATS	<b>32</b> AT10
<b>Guidance features</b>				
Fy	N	3400	3400	7400
Fz	N	3600	3600	7400
Mx	Nm	40	40	220
My	Nm	106	120	810
Mz	Nm	106	120	1040
For the sum of all forces and moments:		$\frac{F_{ye}}{F_y} + \frac{F_{ze}}{F_z} + \frac{M_{xe}}{M_x} + \frac{M_{ye}}{M_y} + \frac{M_{ze}}{M_z} < 1$		(Xe = calculated value) (Xx = max. catalogue value)
<b>Structure profile features</b>				
Geometrical moments of inertia Lx	mm <sup>4</sup>	0,16x10 <sup>5</sup>	2,77x10 <sup>5</sup>	9,32x10 <sup>5</sup>
Geometrical moments of inertia Ly	mm <sup>4</sup>	1,05x10 <sup>5</sup>	3,64x10 <sup>5</sup>	1,39x10 <sup>5</sup>
Elastic module	N/mm <sup>2</sup>	70000	70000	70000
<b>Weight</b>				
Weight of carriage	kg	2,53	4,9	9,41
Weight of 100 mm	kg	0,28	0,4	0,72

## Dimensions LTZ50 / LTZ55 / LTZ80

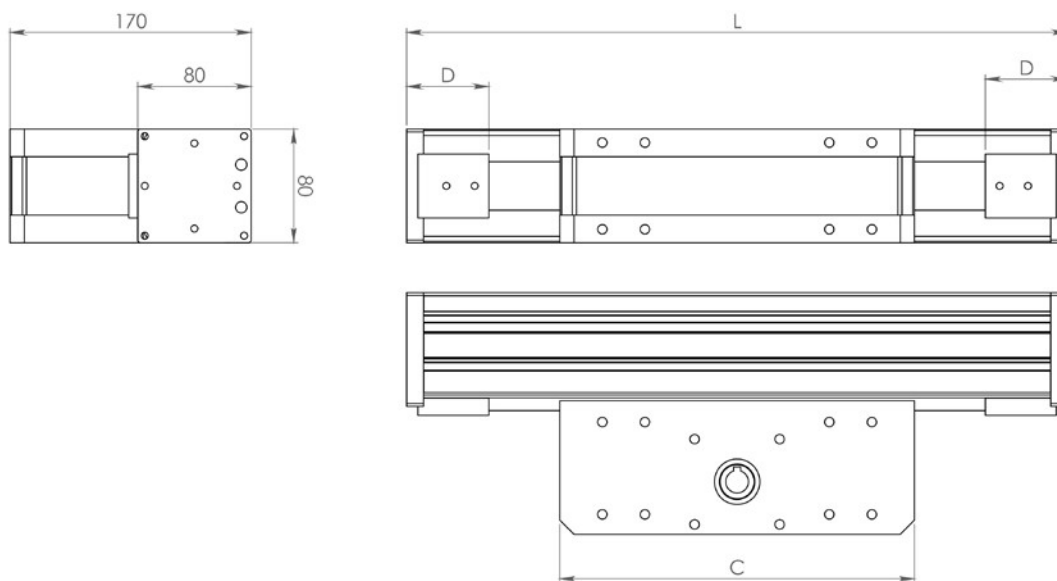
### LTZ50



### LTZ55



### LTZ80



*Drawing for reference only. Please ask for ready 3D files.*

### Choice of stroke

Linear motor stage	LTZ50-TR-S15D	LTZ55-TR-S15D	LTZ80-TR-S20D
C: Carriage length, mm			
L: Total Length, mm	Base length +		
D: Flexible shaft coupling, mm	41	44,5	58